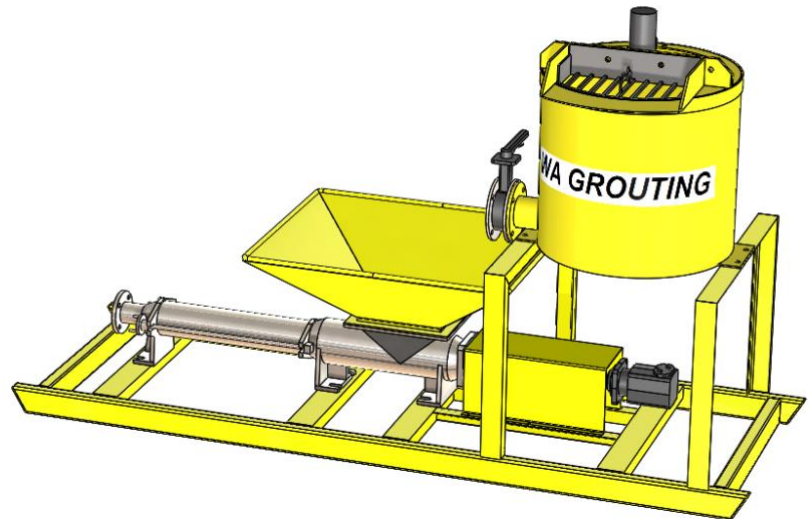


Wags CM40MP (Pneumatic)

Use: The Wags CM40MP series are heavy duty, grouting units for applications such as dams, tunnels, post-tensioning, underground mining and many heavy construction jobs. The Wags CM40MP series all utilize German designed helical rotor (mono type pumps) and each unit is comprised of a single mixer and hold hopper

Features

- Single 240 LTR high speed vortex paddle mixers
- Hold hopper for continuous grouting
- Variable speed Helical rotor pump (pulsation free)
- Internal mixer baffles for a superior mix
- Variable speed mixer



UNIT SPECIFICATIONS:

MIXER CAPACITY	Single 220 LTR
PUMP DELIVERY	38 SERIES



NETZSCH